

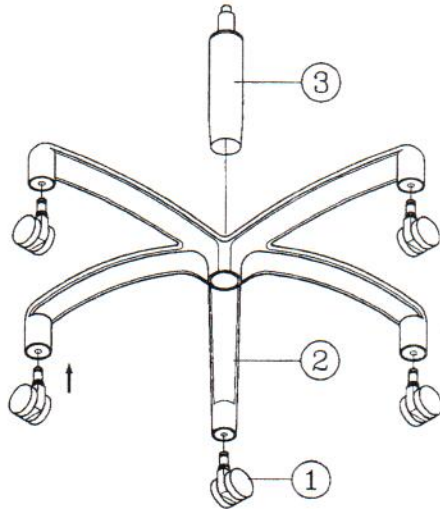
ASSEMBLY INSTRUCTIONS

Remove all items from the carton. Verify all pieces before assembly.

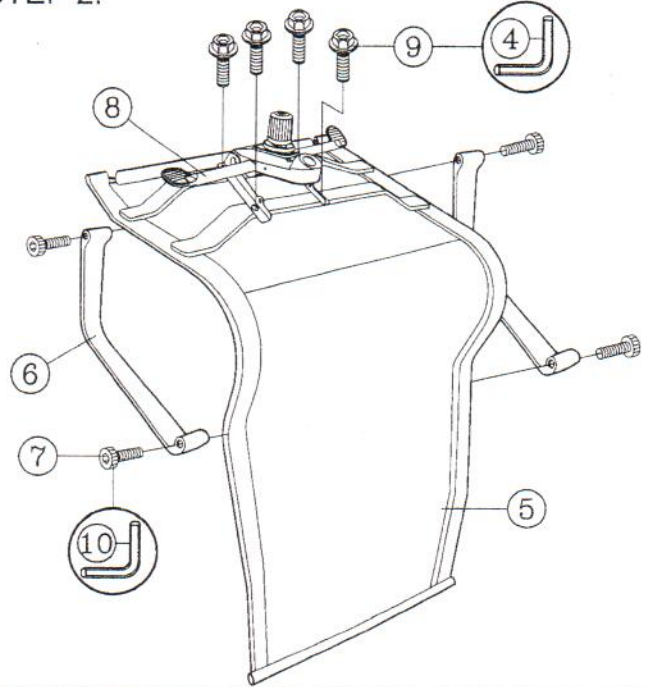
PARTS LIST

KEY	QTY	DESCRIPTION	KEY	QTY	DESCRIPTION	KEY	QTY	DESCRIPTION
1	5	Caster	5	1	Seat & Back	9	4	Mechanism Screw
2	1	Base	6	2	Armrest	10	1	M6 Size Allen Wrench
3	1	Seat Post	7	4	Armrest Screw			
4	1	M5 Size Allen Wrench	8	1	Mechanism			

STEP 1.

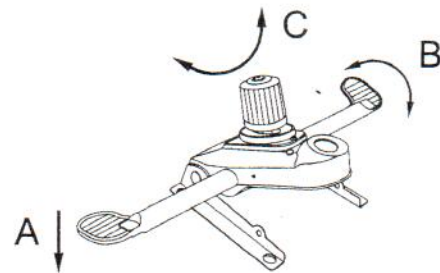


STEP 2.



SYMPHONY H/B

SYMPHONY M/B



MECHANISM OPERATING INSTRUCTION WHILE SEATING :

- (A) SEAT HEIGHT ADJUSTMENT :
Turn lever upward to adjust seat height and turn lever downward when desired position is reached.
- (B) BACK TILT ADJUSTMENT :
Turn lever Upward to move backrest to tilt, and Lock in 4 position by turning lever downward.
- (C) TILT TENSION ADJUSTMENT KNOB :
Rotate knob clockwise / counterclockwise to adjust tilt tension based on body weight.

PREVENTIVE MAINTENANCE AND WARNING!

- USE THIS PRODUCT ONLY FOR SEATING ONE PERSON AT A TIME.
- DO NOT USE THIS CHAIR AS A STEP STOOL / LADDER.
- DO NOT SIT ON ANY PART OF THE CHAIR EXCEPT THE SEAT.
- DO NOT USE CHAIR ON UNEVEN FLOOR SURFACES.
- DO NOT USE CHAIR UNLESS ALL BOLTS, SCREWS AND KNOBS ARE TIGHTENED.
- EVERY SIX MONTHS, PLEASE MAKE SURE ALL BOLTS, SCREWS AND KNOBS ARE FULLY TIGHTENED TO ENSURE STABILITY.
- IF ANY PARTS ARE MISSING, BROKEN, DAMAGED OR WORN. STOP USE OF THE PRODUCT UNTIL REPAIRS ARE MADE USING FACTORY AUTHORIZED PARTS.
- DISPOSE OF PACKAGING PROPERLY. PLASTIC BAG IS NOT A TOY. DO NOT USE PLASTIC BAG AS HEAD COVERING - IT MAY CAUSE SUFFOCATION.
- FAILURE TO FOLLOW THESE WARNINGS COULD RESULT IN SERIOUS INJURY.